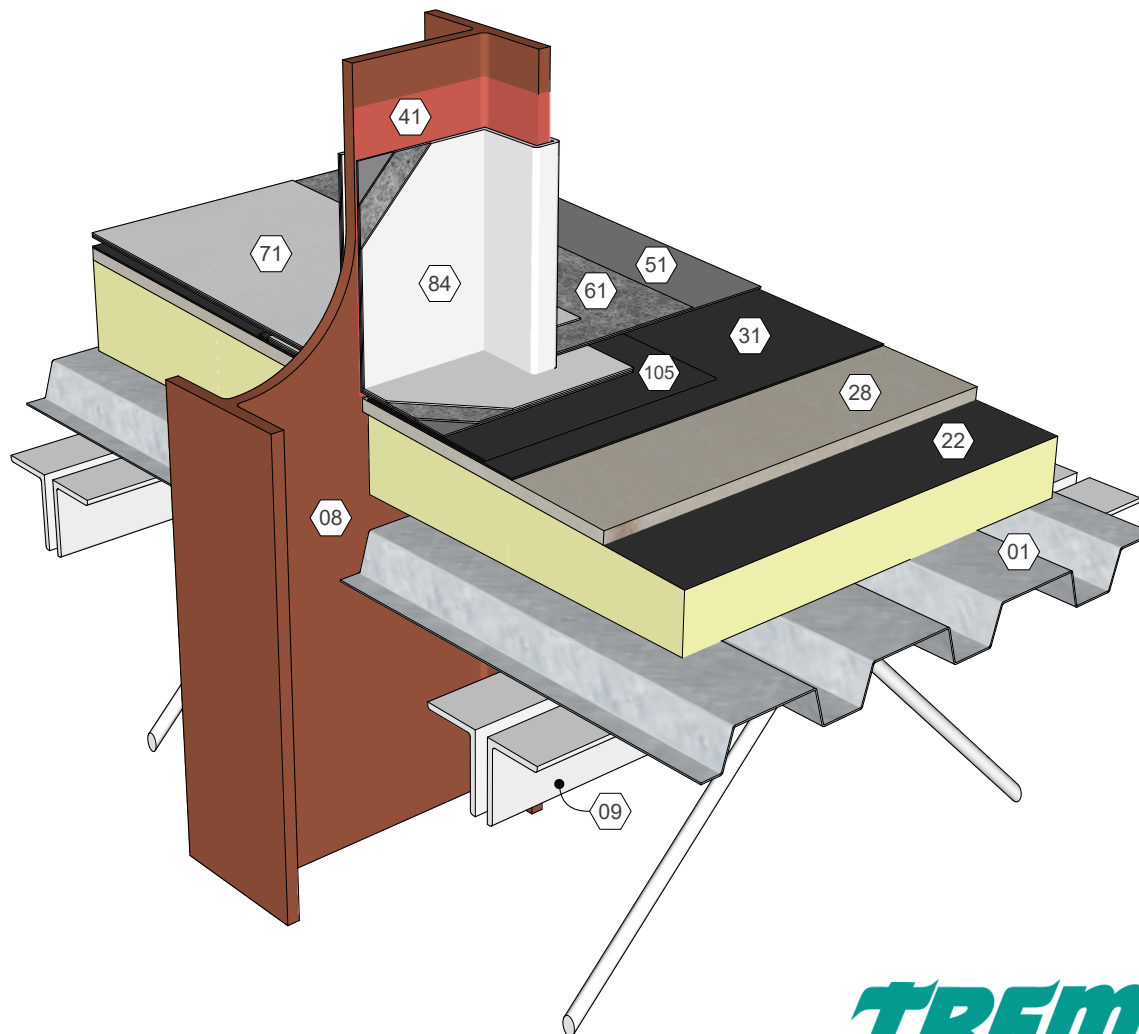
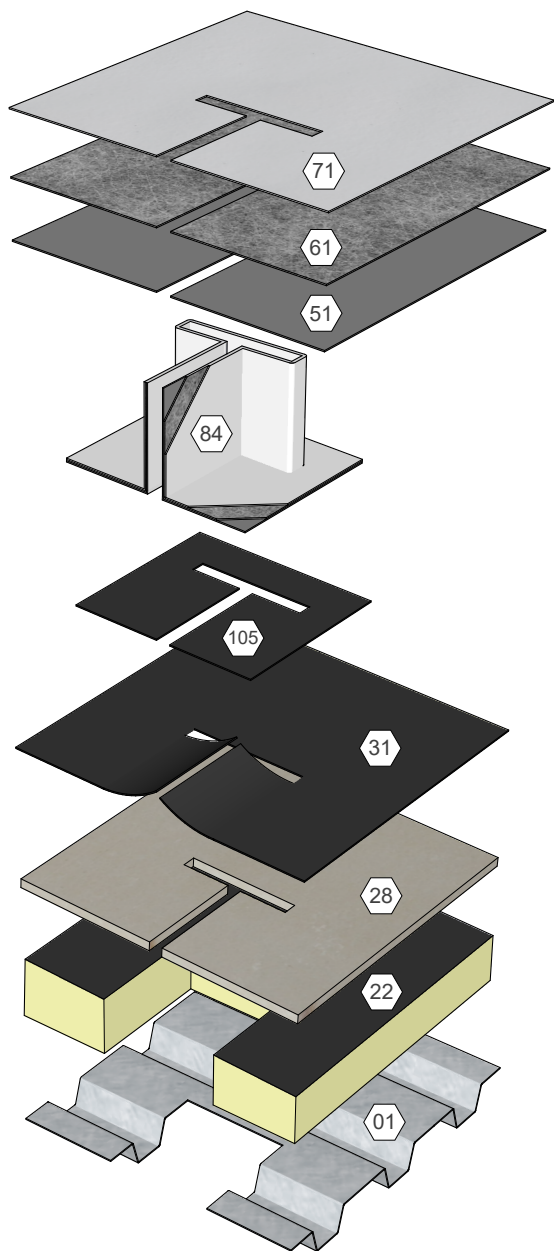


KEY NOTES

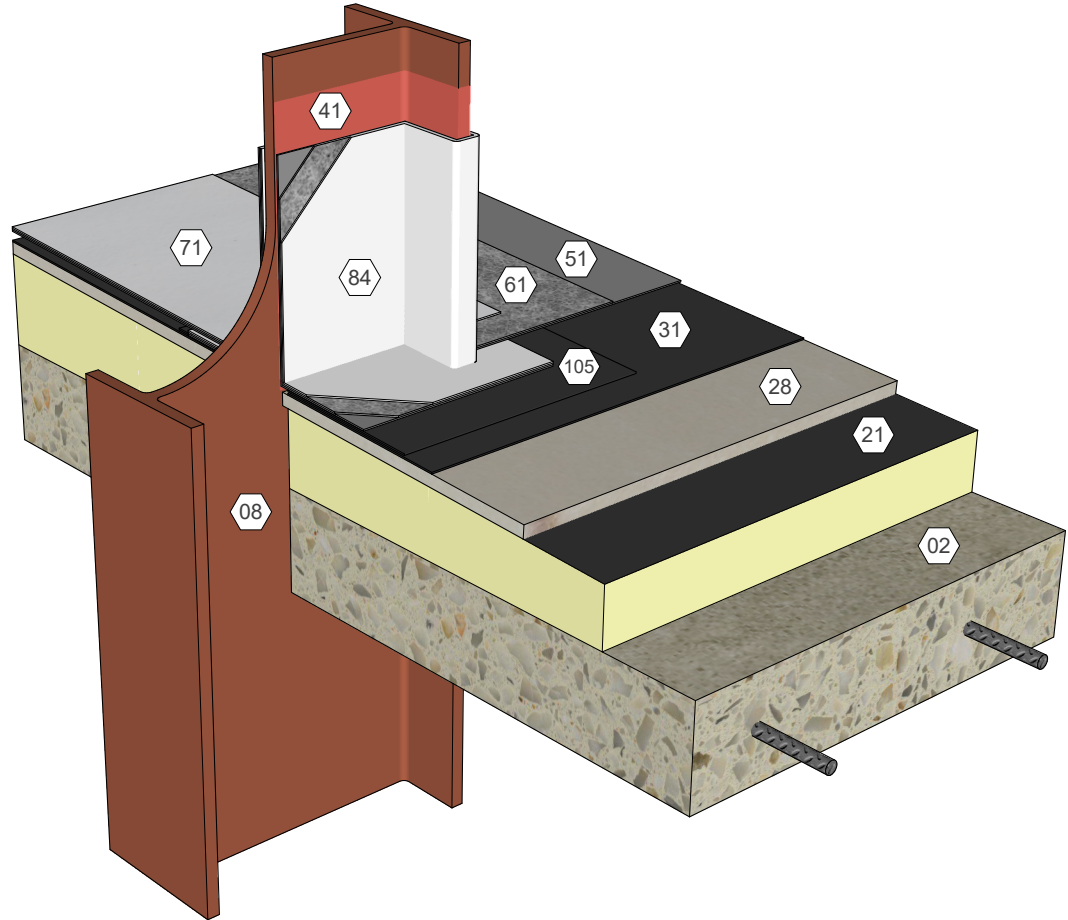
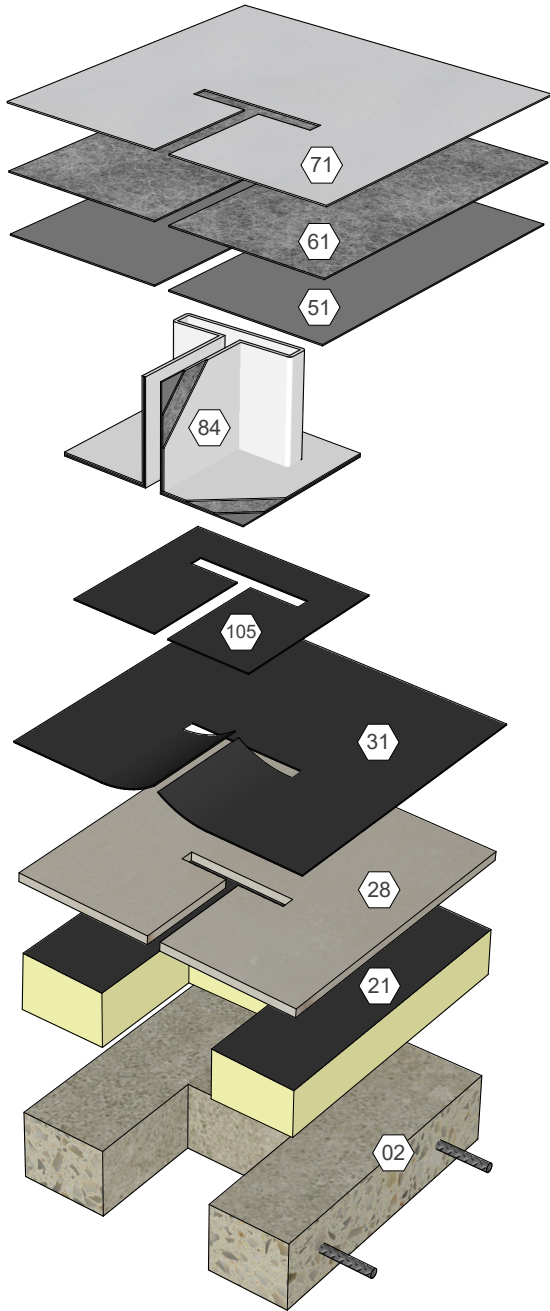
- | | | |
|--|--------------------------------|-------------------------------------|
| 01 Metal Deck | 28 Cover Board (Adhered) | 61 AlphaGuard Glass Mat or Permafab |
| 08 Structural Member | 31 Approved Base Ply Sheet | 71 AlphaGuard MT/MTS Top Coat |
| 09 Roof Structure | 41 Approved Primer | 84 AlphaGuard Flashing |
| 22 Polyisocyanurate Insulation (Fastened or Adhered) | 51 AlphaGuard MT/MTS Base Coat | 105 Target Patch |



AlphaGuard® MT/MTS Plus Structural Member Through Metal Deck Detail
Detail 22141

KEY NOTES

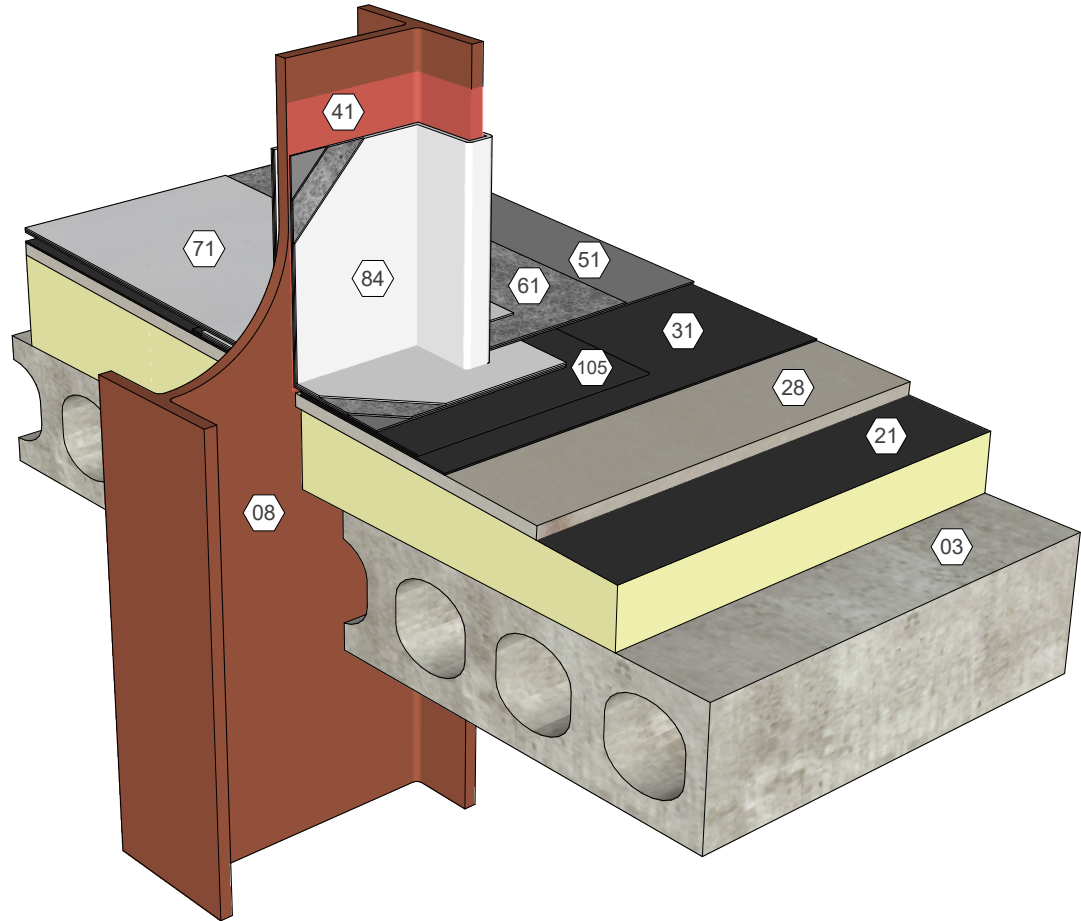
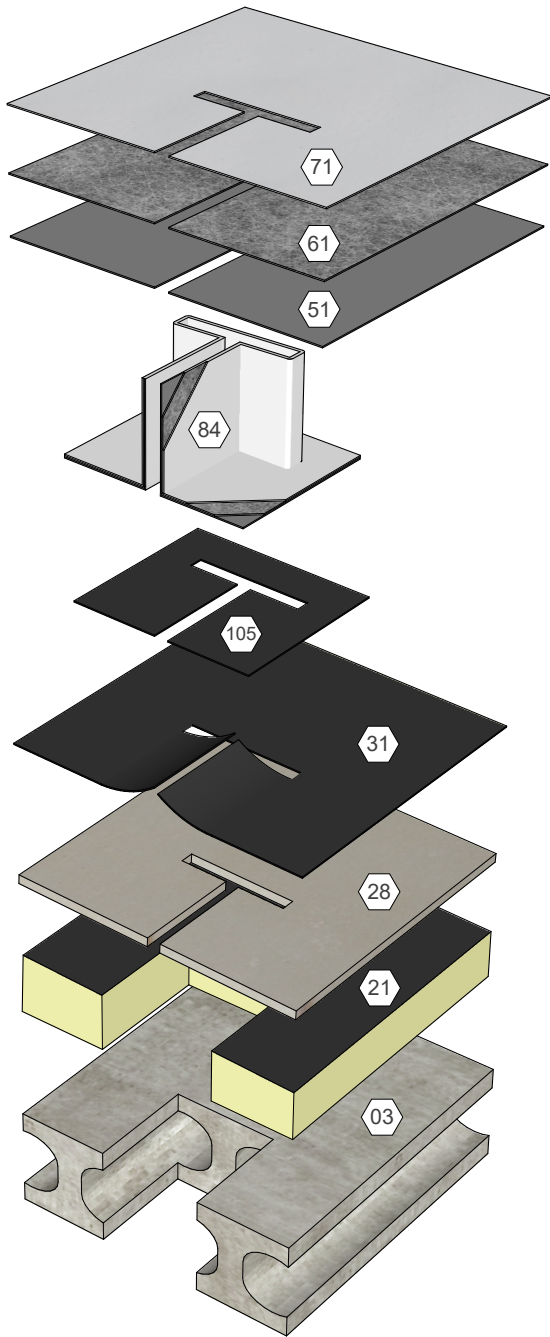
- | | | |
|--|-------------------------------------|-------------------------------|
| 02 Structural Concrete Deck | 31 Approved Base Ply Sheet | 71 AlphaGuard MT/MTS Top Coat |
| 08 Structural Member | 41 Approved Primer | 84 AlphaGuard Flashing |
| 21 Polyisocyanurate Insulation (Adhered) | 51 AlphaGuard MT/MTS Base Coat | 105 Target Patch |
| 28 Cover Board (Adhered) | 61 AlphaGuard Glass Mat or Permafab | |



AlphaGuard® MT/MTS Plus Structural Member Through Structural Concrete Deck Detail
Detail 22142

KEY NOTES

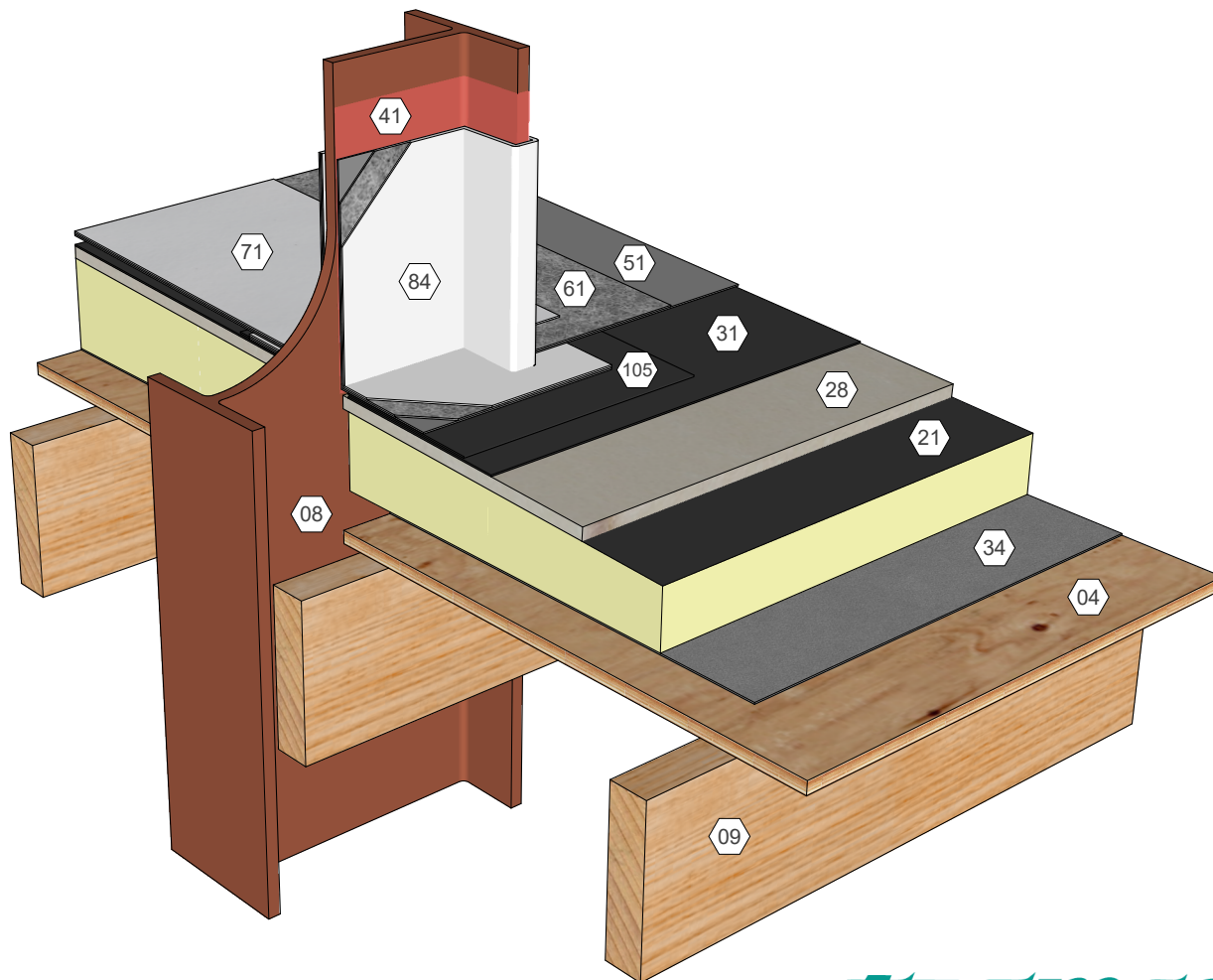
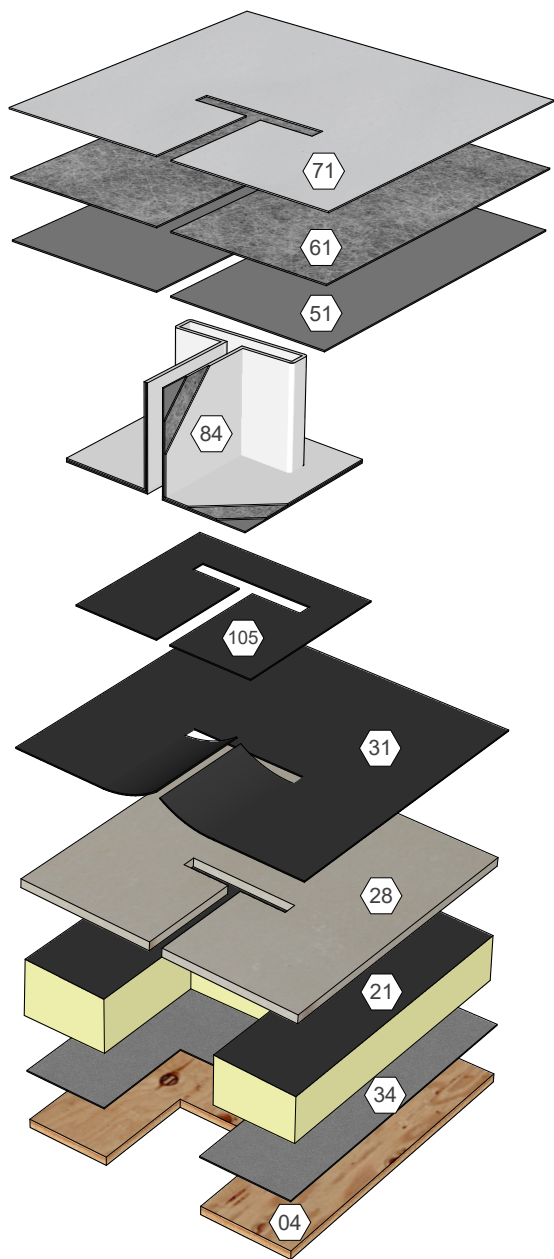
- 03) Precast Concrete Deck
- 08) Structural Member
- 21) Polyisocyanurate Insulation (Adhered)
- 28) Cover Board (Adhered)
- 31) Approved Base Ply Sheet
- 41) Approved Primer
- 51) AlphaGuard MT/MTS Base Coat
- 61) AlphaGuard Glass Mat or Permafab
- 71) AlphaGuard MT/MTS Top Coat
- 84) AlphaGuard Flashing
- 105) Target Patch



AlphaGuard® MT/MTS Plus Structural Member Through Precast Concrete Deck Detail
Detail 22143

KEY NOTES

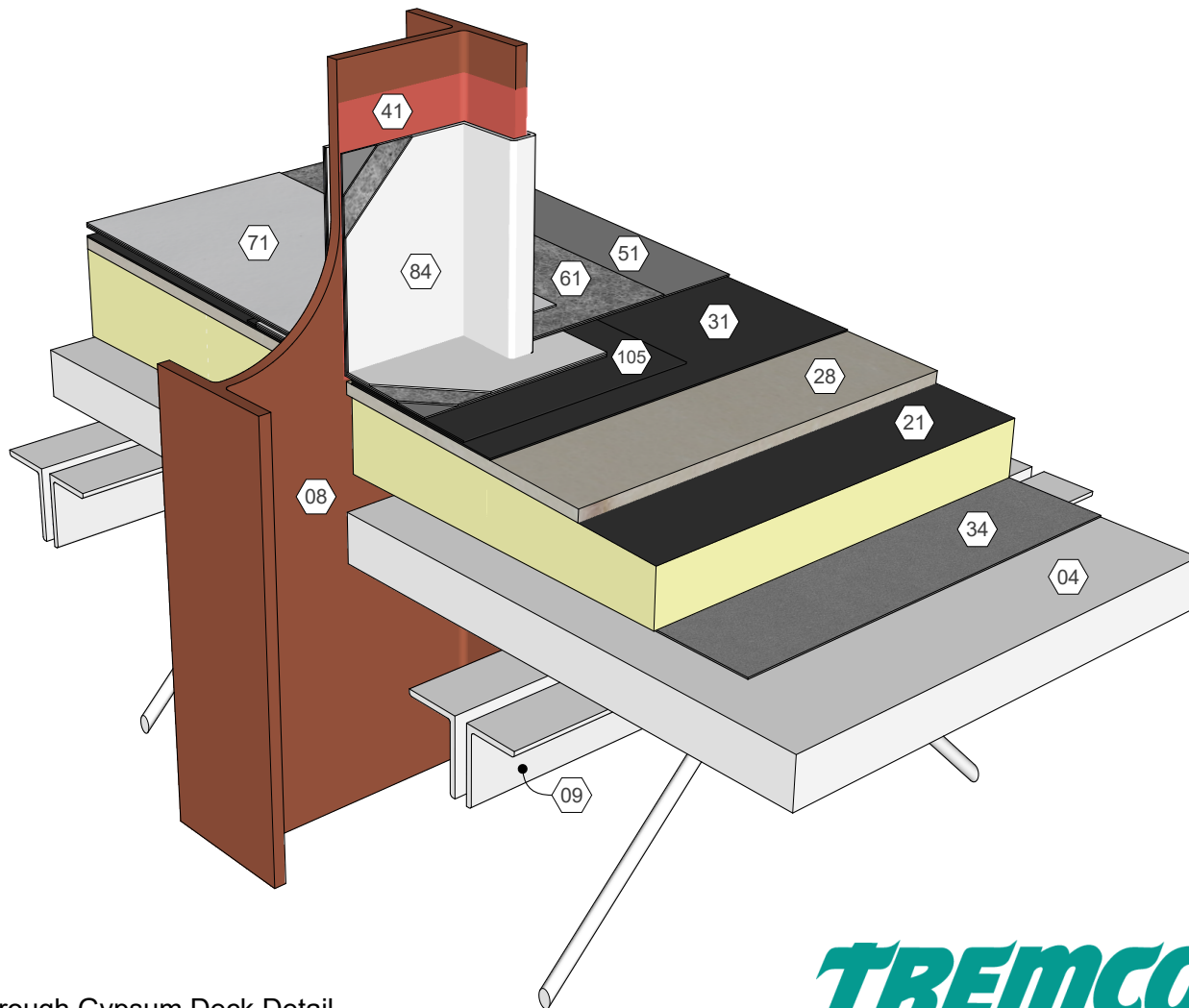
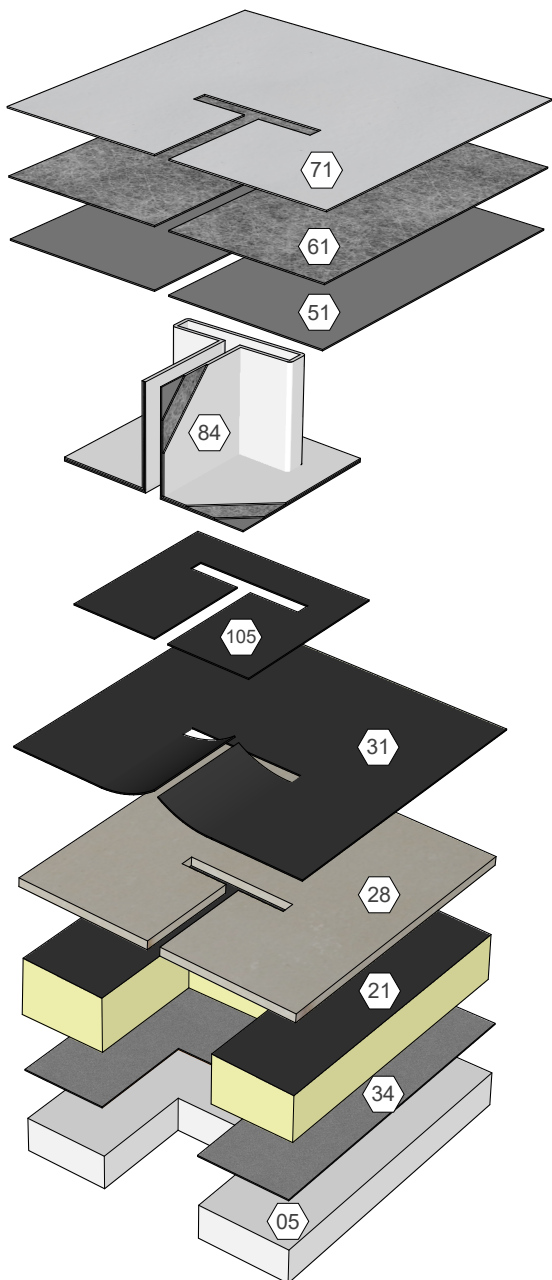
- | | | |
|--|--------------------------------|-------------------------------------|
| 04 Wood Deck | 28 Cover Board (Adhered) | 61 AlphaGuard Glass Mat or Permafab |
| 08 Structural Member | 31 Approved Base Ply Sheet | 71 AlphaGuard MT/MTS Top Coat |
| 09 Roof Structure | 34 Base Sheet (Fastened) | 84 AlphaGuard Flashing |
| 21 Polyisocyanurate Insulation (Adhered) | 41 Approved Primer | 105 Target Patch |
| | 51 AlphaGuard MT/MTS Base Coat | |



AlphaGuard® MT/MTS Plus Structural Member Through Wood Deck Detail
Detail 22144

KEY NOTES

- | | | |
|---|---------------------------------|--------------------------------------|
| 05) Gypsum Deck | 28) Cover Board (Adhered) | 61) AlphaGuard Glass Mat or Permafab |
| 08) Structural Member | 31) Approved Base Ply Sheet | 71) AlphaGuard MT/MTS Top Coat |
| 09) Roof Structure | 34) Base Sheet (Fastened) | 84) AlphaGuard Flashing |
| 21) Polyisocyanurate Insulation (Adhered) | 41) Approved Primer | 105) Target Patch |
| | 51) AlphaGuard MT/MTS Base Coat | |



AlphaGuard® MT/MTS Plus Structural Member Through Gypsum Deck Detail
Detail 22145